

# 2SK133, 2SK134, 2SK135

SILICON N-CHANNEL MOS FET

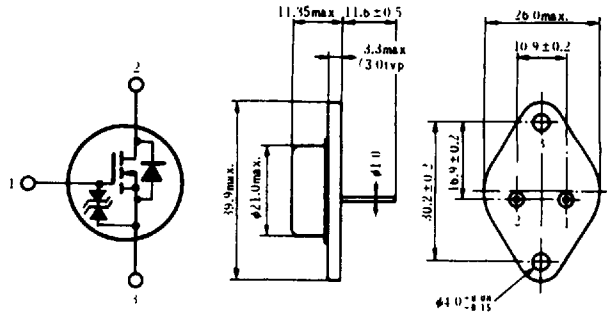
HITACHI/(OPTOELECTRONICS)

## LOW FREQUENCY POWER AMPLIFIER

Complementary pair with 2SJ48, 2SJ49, 2SJ50

### FEATURES

- High Power Gain.
- Excellent Frequency Response.
- High Speed Switching.
- Wide Area of Safe Operation.
- Enhancement-Mode.
- Good Complementary Characteristics.
- Equipped with Gate Protection Diodes.



1. Gate
2. Drain
3. Source (Case)

(JEDEC TO-3)

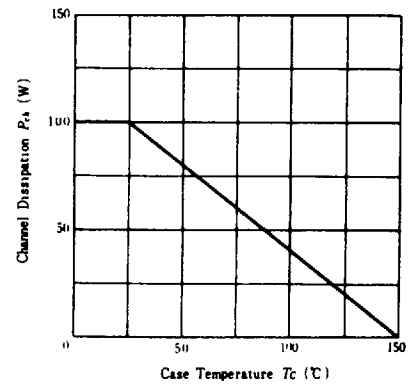
(Dimensions in mm)

### ABSOLUTE MAXIMUM RATINGS ( $T_a=25^\circ\text{C}$ )

Item	Symbol	Rating			Unit
		2SK133	2SK134	2SK135	
Drain-Source Voltage	$V_{DSX}$	120	140	160	V
Gate-Source Voltage	$V_{GSS}$	±14			V
Drain Current	$I_D$	7			A
Body-Drain Diode Reverse Drain Current	$I_{DR}$	7			A
Channel Dissipation	$P_{ch}^*$	100			W
Channel Temperature	$T_{ch}$	150			$^\circ\text{C}$
Storage Temperature	$T_{stg}$	-55 ~ +150			$^\circ\text{C}$

\*Value at  $T_c=25^\circ\text{C}$

### POWER VS. TEMPERATURE DERATING



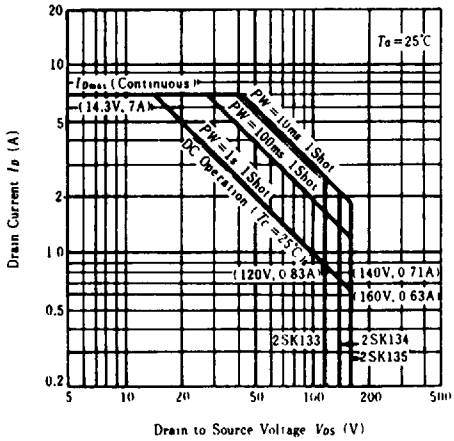
### ELECTRICAL CHARACTERISTICS ( $T_a=25^\circ\text{C}$ )

Item	Symbol	Test Condition	min.	typ.	max.	Unit
Drain-Source Breakdown Voltage	2SK133	$I_D=10\text{mA}, V_{GS}=-10\text{V}$	120	—	—	V
	2SK134		140	—	—	V
	2SK135		160	—	—	V
Gate-Source Breakdown Voltage	$V_{I_{BR}GSS}$	$I_G=\pm 100\mu\text{A}, V_{DS}=0$	±14	—	—	V
Gate-Source Cutoff Voltage	$V_{GS(off)}$	$I_D=100\text{mA}, V_{DS}=10\text{V}$	0.15	—	1.45	V
Drain-Source Saturation Voltage	$V_{DS(sat)}$	$I_D=7\text{A}, V_{GD}=0^*$	—	—	12	V
Forward Transfer Admittance	$ y_{fs} $	$I_D=3\text{A}, V_{DS}=10\text{V}^*$	0.7	1.0	1.4	S
Input Capacitance	$C_{iss}$	$V_{GS}=-5\text{V}, V_{DS}=10\text{V}, f=1\text{MHz}$	—	600	—	pF
Output Capacitance	$C_{oss}$		—	350	—	pF
Reverse Transfer Capacitance	$C_{ris}$		—	10	—	pF
Turn-on Time	$t_{on}$	$V_{DD}=20\text{V}, I_D=4\text{A}$	—	180	—	ns
Turn-off Time	$t_{off}$		—	60	—	ns

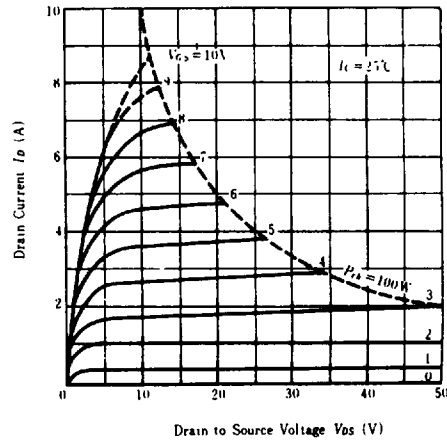
\*Pulse Test

HITACHI/(OPTOELECTRONICS)

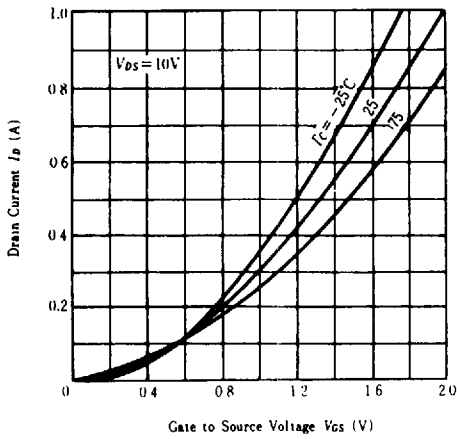
MAXIMUM SAFE OPERATION AREA



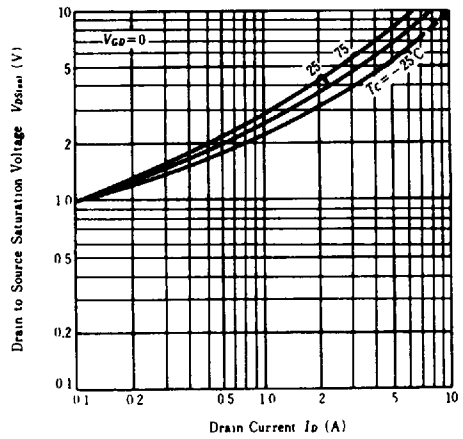
TYPICAL OUTPUT CHARACTERISTICS



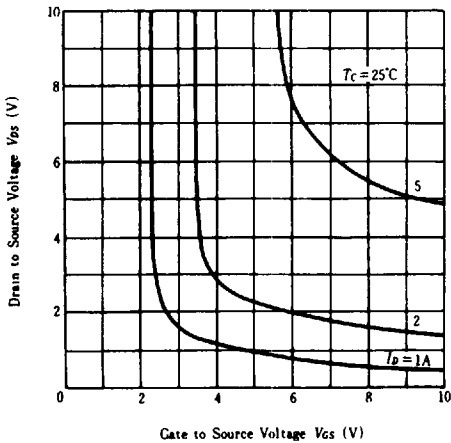
TYPICAL TRANSFER CHARACTERISTICS



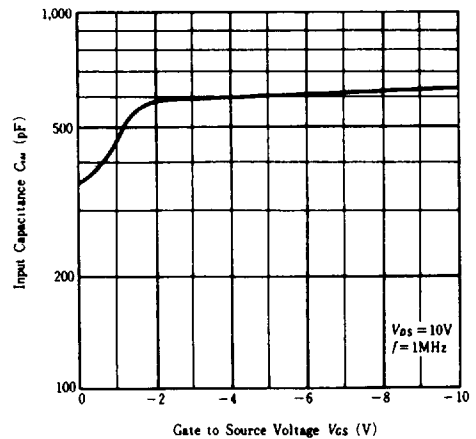
DRAIN - SOURCE SATURATION VOLTAGE VS. DRAIN CURRENT



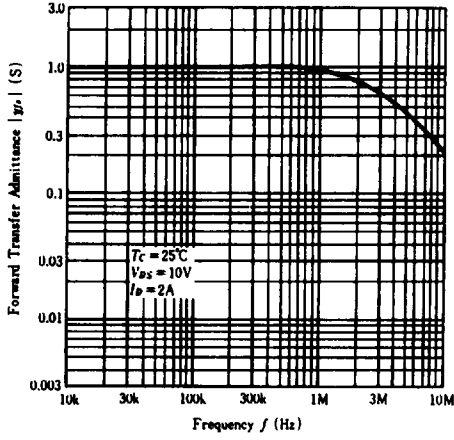
DRAIN - SOURCE VOLTAGE VS. GATE - SOURCE VOLTAGE



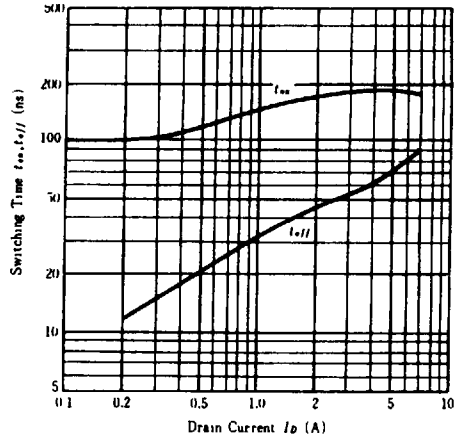
INPUT CAPACITANCE VS. GATE SOURCE VOLTAGE



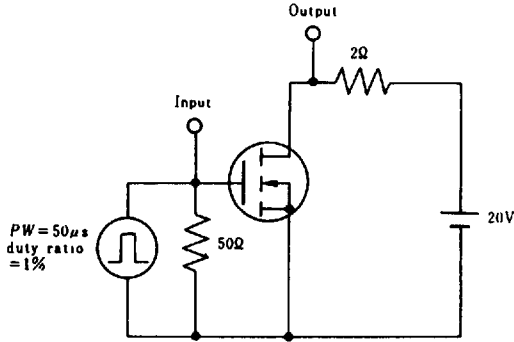
**FORWARD TRANSFER ADMITTANCE  
VS. FREQUENCY**



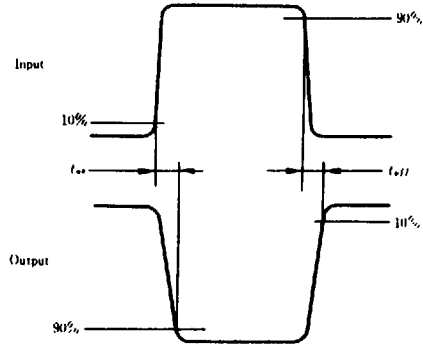
**SWITCHING TIME  
VS. DRAIN CURRENT**



**SWITCHING TIME TEST CIRCUIT**



**WAVEFORMS**



HITACHI/(OPTOELECTRONICS) 61E D

This datasheet has been downloaded from:

[www.DatasheetCatalog.com](http://www.DatasheetCatalog.com)

Datasheets for electronic components.